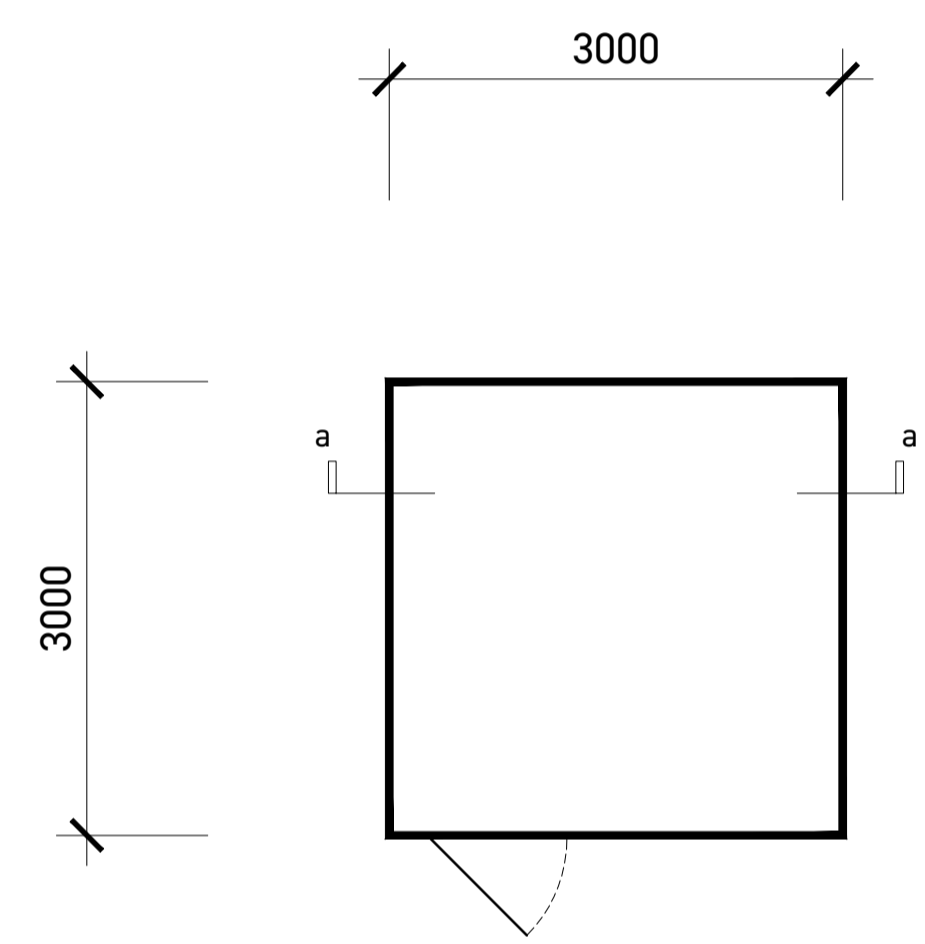


KEY PLAN (RFS)



STEEL PANEL (WHITE)

PPC ALUMINIUM DOORS (WHITE)

- NOTES -

MODULAR BUILDING CONSTRUCTED OF STEEL PROFILE WALLS OF SANDWICH CONSTRUCTION, CONSISTING OF STEEL OUTER PANEL, FIBRE GLASS INSULATION & STEEL INNER PANEL.

FLOOR PLATE TO BE CARBON STEEL OR SIMILAR.

| Rev | Description | Date |
|-----|-------------|------|
|-----|-------------|------|

PLANNING

Client
Kilshane Energy Ltd

Project
**POWER STATION
Kilshane, Dublin 11**

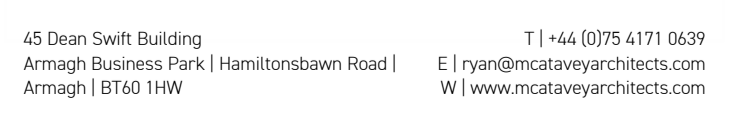
Date
December 2025

Scale
1:50 @ A1

Drawing
**TRANSFORMER
PLAN, SECTION & ELEVATIONS**

Job Nr
165

Drawing Nr
PL.I.01



45 Dean Swift Building
Armagh Business Park | Hamiltonsbawn Road |
Armagh | BT60 1HW

T | +44 (0)75 4171 0639
E | ryan@mcataveyarchitects.com
W | www.mcataveyarchitects.com